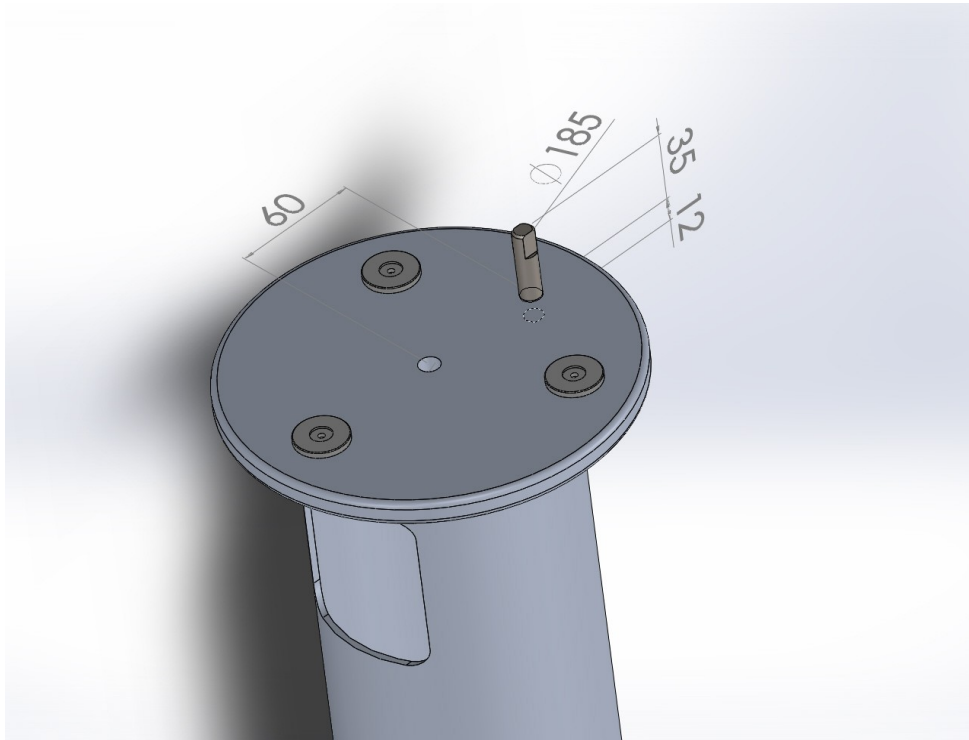


## G53F Pier Adapter



A pier adapter from steel or aluminium is available from Gemini.

To fix it to your pier you can:  
ask for any countersunk holes on the adapter plate,  
weld it to your steel pier.

For DIY purposes:

The plate is D185mm (suggested), thickness 10-15mm.  
The azimuth pin is at R60mm, high 35mm, d10mm suggested, max d12mm.  
The 3pc friction pads should be of hard plastic, at cca 63mm radius.  
The central locking is an M10 bolt, protruding 25-30mm from the adapter.  
The azimuth pin is oriented due South.

[www.geminitelescope.com](http://www.geminitelescope.com)